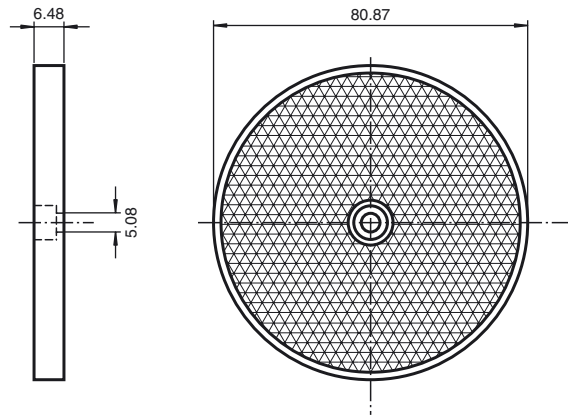




Dimensions



Model number

FE-RR1

Reflector, round \varnothing 80.87 mm, central mounting hole

Features

- Mounting holes for simple installation

Technical data

General specifications

Construction type round

Ambient conditions

Ambient temperature -20 ... 85 °C (253 ... 358 K)

Mechanical specifications

Material PMMA/ABS

Dimensions Diameter: 80.87 mm

Mounting mounting hole